

### SPECIFICATIONS

- Meets or exceeds the requirements of AWWA C515 standard.
- Full waterway.
- Adjustable packing.
- Rubber fully encapsulated ductile iron wedge.
- Handwheel - open left or open right.
- Face to face dimension complies with ASME B16. 10 and EN558 series 3.
- Flange and drilling complies with ASTM B16.1 Class 125.
- UL 262 listed, FM 1120/1130 approved
- Certificated to ANSI/NSF 61 & 372.

### CORROSION PROTECTION

Fusion bonded coating on interior and exterior meets or exceeds all applicable AWWA C550 standards.

### MATERIAL SPECIFICATION

PART		MATERIAL	ASTM SPECIFICATION
BODY		DUCTILE IRON	A536 GRADE 65-45-12
WEDGE		EPDM FULLY ENCAPSULATED DUCTILE IRON WEDGE	
WEDGE NUT	2.5"-12"	STAINLESS STEEL	A351 GRADE CFB
	14"- 24"	BRONZE	B148 C95200
BONNET		DUCTILE IRON	A536 GRADE 65-45-12
STEM		STAINLESS STEEL	A276 GRADE 304
YOKE		DUCTILE IRON	A536 GRADE 65-45-12
STEM NUT		BRONZE	B148 C95200
PACKING		GRAPHITE	NON-ASBESTOS
GLAND		DUCTILE IRON	A536 GRADE 65-45-12
GLAND STUD		STAINLESS STEEL	A276 GRADE 304
FASTENERS		CARBON STEEL	A307GRADEB
BODY/BONNET GASKET		EPDM	D2000
PLUG		MALLEABLE IRON	A47 GRADE 22010
HANDWHEEL		DUCTILE IRON	A536 GRADE 65-45-12

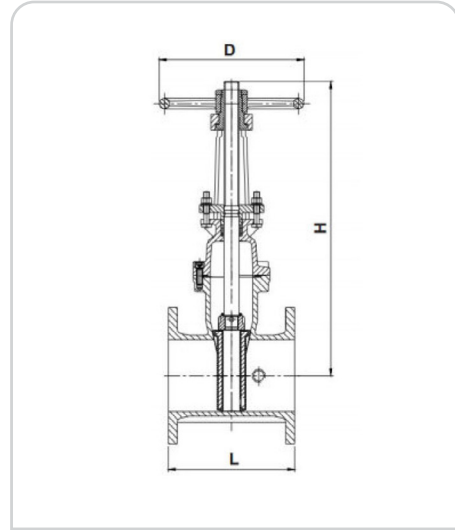
### WORKING PRESSURE AND TEMPERATURE

300 psi rated @ -10 °C to 82 °C for 2.5" to 12"

### SCHEMATIC



CF-200 (Size 2.5" to 12")



### DIMENSIONS

SIZE ( INCHES )	2.5	3	4	6	8	10	12
L	190/7.5	203/8.0	229/9.0	267/10.5	292/11.5	330/13.0	356/14.0
H (OPEN)	447/17.6	500/19.7	565/22.2	760/29.9	960/37.8	1150/45.3	1340/52.8
D	184/7.25	254/10.0	254/10.0	305/12.0	356/14.0	445/17.5	445/17.5

Designs, materials and specifications shown are subject to change without notice due to the continuous development of our products.