

SPECIFICATIONS

- Meets or exceeds the requirements of AWWA C508 standard.
- Gravity operated, swing check design.
- Inspection or replacement of all parts can be performed without removing the valve from the line.
- Bosses on both sides of the body for connecting by-passes if required
- Drain plug on the bottom under the inlet end for attaching a drain valve if required.
- Excellent flow characteristics.
- Superior design featuring exceptionally low pressure losses at high flow rates.
- Bolted cover.
- Rubber disc facing and bronze seat ring.
- Flanged connections are drilled per ASME B16.I Class 125.

UL 312 listed and FM 1210 approved.

CORROSION PROTECTION

Fusion bonded coating on interior and exterior meets or exceeds all applicable of AWWA C550 standard.

WORKING PRESSURE AND TEMPERATURE

350 psi @ 0 ° C to 87 ° C.

MATERIAL SPECIFICATION

PART	MATERIAL	ASTM SPECIFICATION
BODY	DUCTILE IRON	A536 GRADE 65-45-12
COVER	DUCTILE IRON	A536 GRADE 65-45-12
BODY SEAT RING	BRONZE	B62 C83600
DISC SEAT RING	RUBBER	D2000 EPDM
SEAT RING HOLDER	DUCTILE IRON	A536 GRADE 65-45-12
DISC	DUCTILE IRON	A536 GRADE 65-45-12
BODY/COVER GASKET	RUBBER	D2000 NBR
CLAPPER ARM	DUCTILE IRON	A536 GRADE 65-45-12
HINGE PIN	STAINLESS STEEL	A276 GRADE 304
HINGE PIN PLUG	MALLEABLE IRON	A47 GRADE 22010
BODY/COVER FASTENERS	CARBON STEEL	A307 GARDE B
DISC SEAT BOLT/NUT	STAINLESS STEEL	A276 GRADE 304
PLUG O-RING	RUBBER	D2000 NBR
EYEBOLT	CARBON STEEL	A307 GARDE B

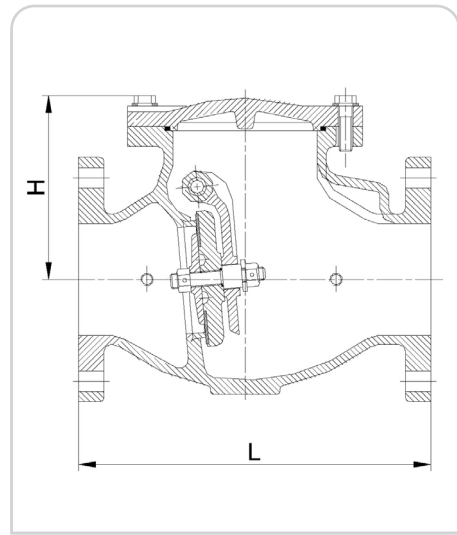
MAIN DIMENSIONS (MM/INCHES)

SIZE	2.5	3	4	6	8	10	12
L	254/10.0	279/11.0	330/13.0	406/16.0	495/19.5	559/22.0	660/26.0
H	155/6.0	165/6.5	180/7.0	320/12.5	355/14.0	395/15.5	445/17.5

SCHEMATIC



CF-400 (SIZE 2.5" TO 12")



NOTE

- Materials and specifications shown are subject to change without notice due to the continuous development of our products.