

SPECIFICATIONS

- Meets or exceeds the requirements of the AWWA C502 standard.
- NFPA 1963 standard nozzle threads.
- Traffic feature with duplex stainless steel safety stem coupling.
- Excellent flow characteristics.
- Multiple nozzle configurations.
- Dry top design with O-ring sealed oil reservoir.
- Dual auto-frost bronze drain valves are standard.
- UL 246 listed and FM 1510 approved.

CORROSION PROTECTIONS

Fusion bonded coating meets or exceeds all applicable AWWA C550 standards.

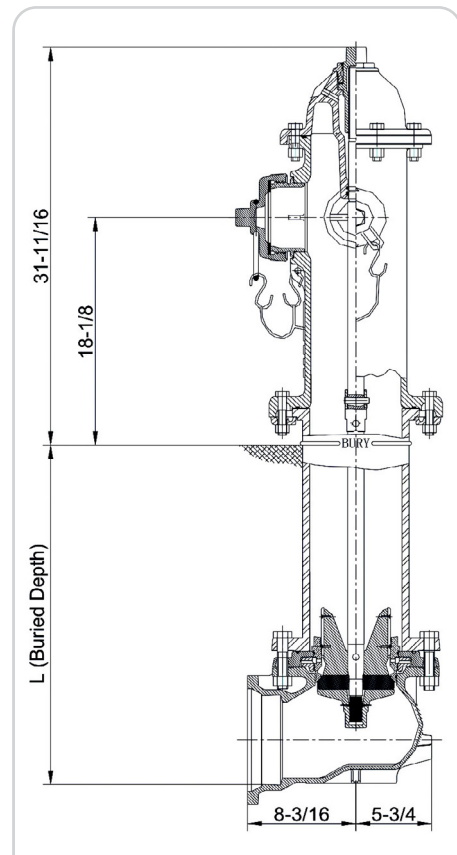
MATERIAL SPECIFICATION

PART	MATERIAL	ASTM SPECIFICATION
Operating Nut	Bronze	862 C83600
Hold Down Nut	Bronze	862 C83600
Bonnet	Cast Iron	A126 Class 8
Bonnet Bolts And Nuts	Carbon Steel	A307 Grade 8
Bonnet Gasket	Rubber	D2000N8R
Nozzle	Bronze	862 C83600
Nozzle Cap	Cast Iron	A126 Class 8
Nozzle Gasket	Rubber	D2000N8R
Nozzle O-Ring	Rubber	D2000N8R
Nozzle Gasket	Rubber	D2000N8R
Cap Chain	Carbon Steel	A105
Standpipe Upper	Ductile Iron	A536 Grade 65-45-12
Safety Coupling	Duplex Stainless Steel	A890192205
Cotter Pin	Stainless Steel	A276 Grade 304
Clevis Pin	Stainless Steel	A276 Grade 304
Safety Flange	Cast Iron	A126 Class 8
Flange Bolts And Nuts	Carbon Steel	A307 Grade 8
Standpipe Lower	Ductile Iron	A536 Grade 65-45-12
Upper Rod	Carbon Steel	A576 Grade 8
Lower Rod	Carbon Steel	A576 Grade 8
Valve Top Plate	Bronze	862 C83600
Drain Valve Facing	Plastic	
Seat Ring	Bronze	862 C83600
Drain Ring	Bronze	862 C83600

WORKING PRESSURE AND TEMPERATURE

250 psi@ - 10°C to 80°C.

SCHEMATIC



BURIED DEPTH DIMENSIONS (INCH)

OPTIONS	L (BURIED DEPTH)
1	1' - 0"
2	2' - 0"
3	3' - 0"
4	3' - 6"
5	4' - 0"
6	4' - 6"
7	5 - 0"
8	5' - 6"
9	6' - 0"
10	6' - 6"
11	7' - 0"

MATERIAL SPECIFICATIONS

PART	MATERIAL	ASTM SPECIFICATION
Drain Housing	Ductile Iron	A536 Grade 65-45-12
Main Valve	Rubber	D2000N8R
Valve Bottom Plate	Ductile Iron	A536 Grade 65-45-12
Bottom Plate Nut	Ductile Iron	A536 Grade 65-45-12
Elbow	Ductile Iron	A536 Grade 65-45-12

NOTE

Designs, materials and specifications shown are subject to change without notice due to the continuous development of our products.

BURIED DEPTH DIMENSIONS (INCH)

STYLE NO	HOSE OUTLETS	PUMPER NOZZLE STYLE	MONITOR	WAY
CF-500-250	-2H0P	2 X 2.5"	N/A	2-WAY
CF-500-250	-2H0PM	2 X 2.5"	YES	2-WAY
CF-500-250	-2H1P	2 X 2.5"	N/A	3-WAY
CF-500-250	-2H1PM	2 X 2.5"	YES	3-WAY
CF-500-250	-3H1P	3 X 2.5"	N/A	4-WAY
CF-500-250	-3H1PM	3 X 2.5"	YES	4-WAY
CF-500-250	-4H0P	4 X 2.5"	N/A	4-WAY
CF-500-250	-4H0PM	4 X 2.5"	YES	4-WAY
CF-500-250	-2H2P	2 X 2.5"	N/A	4-WAY
CF-500-250	-2H2PM	2 X 2.5"	YES	4-WAY