

SPECIFICATIONS

- Vulcanized Disc Design for Bubble-Tight Shut off.
- Outdoor and Indoor rated.
- Flag Type Position Indicator.
- Built-in Supervisory Switch.
- Grooved Ends Dimensions meet AWWA C606 Standard or other IPS Pipe.
- Face to Face Dimension complies with MS SP-67.
- UL 1091 Listed, FM 1112 Approved, Certified.
- Rated Working Pressure:
 - 300 Psi UL Listed
 - 300 Psi FM Approved
 - 16 bar VdS Certified

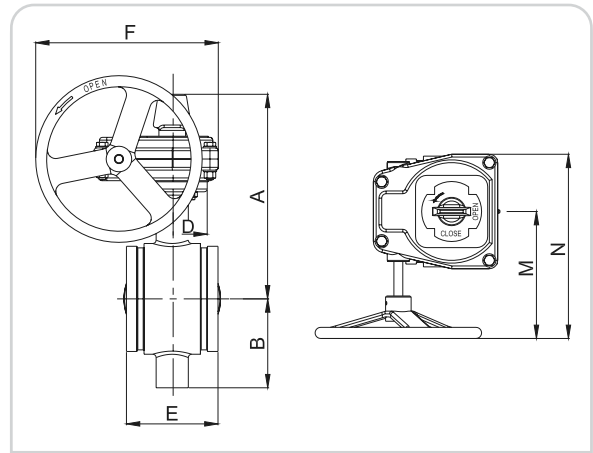
CORROSION PROTECTION

- Fusion Bonded Epoxy Coated Interior and Exterior to AWWA C550 Standard.

MATERIAL SPECIFICATIONS

PART	MATERIAL	ASTM SPECIFICATION
Body	Ductile Iron	A536 GRADE 65-45-12
Disc	EPDM fully Encapsulated Ductile Iron	
Shaft	Stainless Steel	A276 Type 431
Bushing	Brass	B124 C37700
Housing	Gray Cast Iron	A126 Class B
Fasteners	Carbon Steel	A307 Grade B

SCHEMATIC



MAIN DIMENSIONS (MM/INCH)

SIZE	A	B	E	F	M	N
2	220/8.70	76/2.99	84/3.30	190/7.48	150/5.90	228/8.98
2.5	230/9.00	85/3.35	97/3.81	190/7.48	150/5.90	228/8.98
3	235/9.25	90/3.55	97/3.81	190/7.48	150/5.90	228/8.98
4	265/10.45	110/4.30	116/4.56	190/7.48	150/5.90	228/8.98
5	285/11.25	120/4.75	148/5.81	215/8.46	157/6.18	235/9.25
6	305/12.00	145/5.70	148/5.81	215/8.46	157/6.18	235/9.25
8	360/14.25	180/7.00	133/5.25	280/11.02	205/8.07	310/12.20
10	410/16.20	230/9.00	159/6.25	280/11.02	230/9.06	333/13.11
12	435/17.13	260/10.25	165/6.50	280/11.02	230/9.06	333/13.11

Note:
 Designs, materials and specifications shown are subject to change without notice due to the continuous development of our products.