

SPECIFICATIONS

- Meets or exceeds the requirements of the NFPA 24 standard.
- Indicates the state of the valve as OPEN or SHUT [CLOSED] .
- Target nut allows 13 to 51 turns for CF-600.
- “L” shaped wrench handle can be secured with a padlock (provided by user).
- Protected windows.
- Easily adjustable indicator OPEN and SHUT targets.
- UL 789 listed, FM 1110 approved.

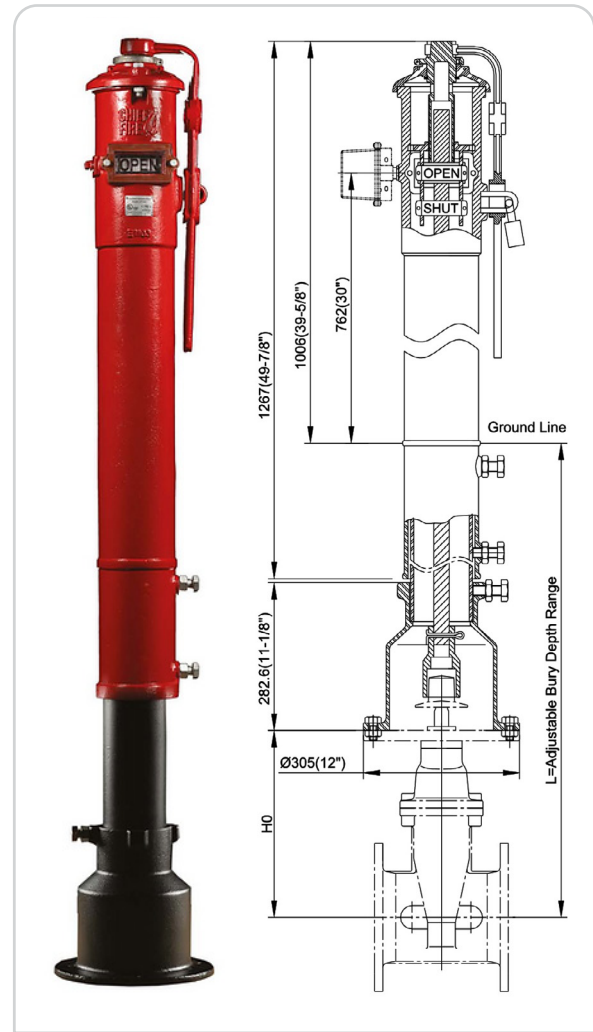
CORROSION PROTECTION

- Spray painted interior and exterior meets or exceeds all applicable portions of the AWWA C550 standard.
- Stand barrel: Black bitumen coated.

MATERIAL SPECIFICATIONS

PART	MATERIAL	ASTM SPECIFICATION
UPPER BODY	CAST IRON	A126CLASS B
CAP	CAST IRON	A126CLASS B
T-HEAD BOLT	CARBON STEEL	A105
NUT	CARBON STEEL	A105
OPERATING NUT	STAINLESS STEEL	A351 GRADE CFB
SCREW	CARBON STEEL	A105
RETAINING RING	STAINLESS STEEL	ASTM UNS1066
TARGET CARRIER NUT	STAINLESS STEEL	A351 GRADE CFB
TARGET PLATE	ALUMINUM ALLOY	862
WINDOWS	PLEXIGLASS	COMMERCIAL
GASKET	RUBBER	D2000NBR
HEX HEAD CAP SCREWS	CARBON STEEL	A105
OPERATING WRENCH	DUCTILE IRON	A536 GRADE 65-45-12
TARGET LOCK STUD	CARBON STEEL	A105
STUD NUT	CARBON STEEL	A105
OPERATING ROD	CARBON STEEL	A322 GRADE 1345
PLUG	MALLEABLE IRON	A47 GRADE 22010
STAND BARREL	CARBON STEEL	A53 TYPE S GRADE A
LOCKING BOLTS	CARBON STEEL	A307GRADE B
LOCKING NUTS	CARBON STEEL	A105
BASE FLANGE	CAST IRON	A126CLASS B
CRANE COUPLING	DUCTILE IRON	A536 GRADE 65-45-12
COTTER PIN	STAINLESS STEEL	A276 GRADE 304

SCHEMATIC



CF-600 (Size 4" to 14")

DIMENSIONAL DATA FOR VERTICAL INDICATOR POST

SIZE	4"	6"	8"
URNS TO OPEN	13	20	26
HO	252/9.92	355/13.97	444/17.48
L	MIN.	820/32.28	920/36.22
	MAX.	1675/65.94	1775/69.88

SIZE	10"	12"	14"
URNS TO OPEN	33	39	45
HO	535/21.06	617/24.29	727/28.62
L	MIN.	535/21.06	1180/46.45
	MAX.	1955/76.97	2035/80.1