

SPECIFICATIONS

- Equipped with tamper resistant screws to prevent unauthorized entry.
- Designed and built for accuracy and repeatability.
- Two synchronized switches are enclosed in a durable terminal block.
- Terminals are easy to read and wire.
- Built-In mechanical time delay feature minimizing the risk of false alarms due to pressure surges or air trapped in the system.
- Offers excellent performance during riser vibrations caused by large in-rushes of water.
- Flow sensitivity range
UL/FM: 4-10 GPM (15-38 LPM)
- Contact rating
UL/FM: 8A at 250 VAC, 3A at 24 VDC, 2.5A at 30 VDC

WORKING PRESSURE AND TEMPERATURE

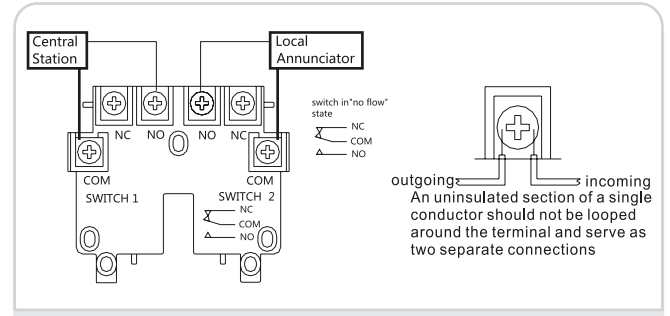
- UL/FM: 450 psi @ 0°C to 68°C temperature.

DIMENSIONS (MM/ INCH)

SIZE	2	2.5	3	4
w	84/3.31	92 / 3.62	104/4.09	133/5.24
H	190 / 7.48	200/7.87	220 / 8.66	245 / 9.65
Nominal Pipe Size OD.	60.3 / 2.37	73 / 2.87	88.9 / 3.50	114.3 / 4.50
Pipe Wall Thickness	2.77-3.91 / 0.11-0.15	3.05- 5.16/ 0.12-0.20	3.05 - 5.49 / 0.12 - 0.22	3.05 - 6.02 / 0.12 - 0.24

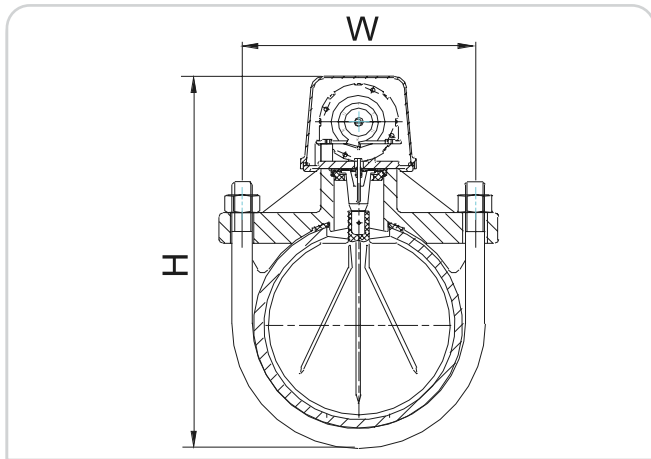
SIZE	5	6	8
w	160/6.30	187 / 7.36	239/9.41
H	270 / 10.63	300 / 11.8	350/ 13.78
Nominal Pipe Size OD.	141.3/5.56	168.3 / 6.63	219.1/8.63
Pipe Wall Thickness	3.40 - 6.55 / 0.13-0.26	3.40-7.11 / 0.13-0.28	3.76 - 8.18 / 0.15-0.32

TYPICAL CONNECTIONS



MATERIAL SPECIFICATIONS

MODEL	SADDLE	COVER
CF-WFD	Aluminum B85 A04130	PC
		ALUMINUM B85 A04130



Note:
Designs, materials and specifications shown are subject to change without notice due to the continuous development of our products.